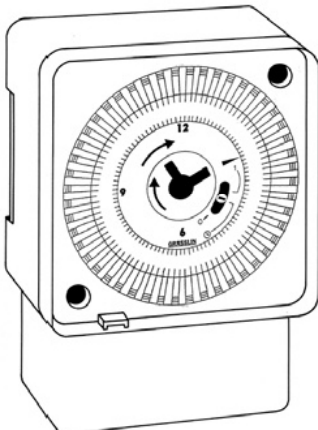
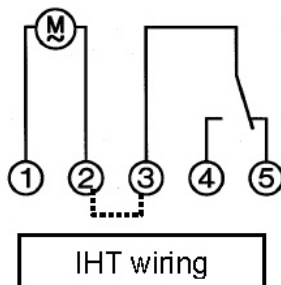


IHT-GPT Immersion Heater Timeswitches

SPECIFICATION SHEET



Surface mounting



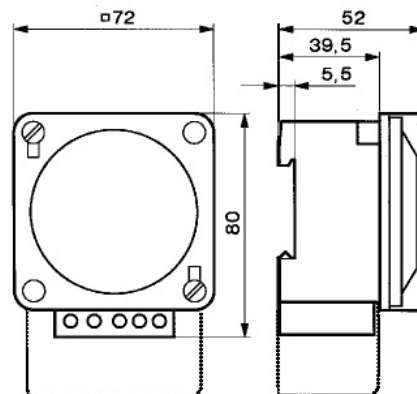
Immersion Heater synchronous timeswitch

<u>PRODUCT CODE</u>	<u>ORDER CODE</u>	<u>DIAL TYPE</u>	<u>SWITCHING CAPACITY</u>
IHTGPT01	IHTGPT01	24 HOUR	16 Amps
IHTGPW01	IHTGPW01	7 DAY	16 Amps

Grässlin's synchronous immersion heater timeswitch is developed from the well-established FM/1 product range. Captive tappets allow programming of a routine switching sequence for an immersion heater. The product is available in a 24 hour or seven day version. To suit installation requirements, the timer is pre-fitted with a mains link to the volt-free contacts, incorporates an earth park terminal for earth continuity, and cable clamps to secure incoming and outgoing wiring.

Technical specification:

Weight	160g
AC switching capacity:	
- resistive load	16A 250v AC
- inductive load $\cos \phi$ 0.6	8A 250v AC
- incandescent lamp load	1350W
- fluorescent lamp load	60W
Minimum switching current	100mA (20v) AC/DC
Ambient temperature:	
- Synchronous units	-20 °C to +85 °C
Accuracy	mains synchronized typ. \pm 2.5 sec. / day
Minimum switching time:	
- 24 hour dials	15 minutes
- 7 day dials	2 hours
Manual override	fix ON / timed / fix OFF



Dimensions – dimension over terminal cover: 120mm