

SPECIFICATION SHEET



Socket box timer – synchronous & digital

PRODUCT CODE

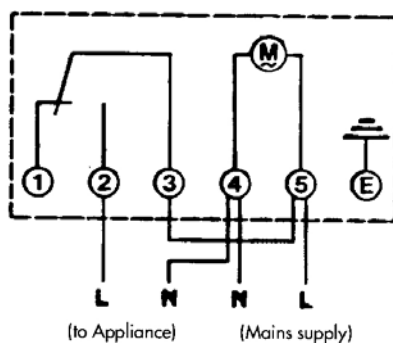
SBSTUZH	24 hour synchronous	16 Amps
SBSWUZH	7 day synchronous	16 Amps
DIGISB	24 hour / 7 day digital	16 Amps

All products are suitable for fitting to a standard depth power socket box, and will provide timed control for any fixed-wiring device up to a resistive load of 16 amperes. Synchronous units are supplied in 24 hour or 7 day versions, incorporate a manual (Fix On / Timed / Fix Off) control and are without battery reserve. The digital version has a self-resetting override, plus Fixed On / Fixed Off selection, and incorporates a battery reserve, retaining the time display and programming in the event of a mains failure.

Technical specification:

Fitting	Suits standard power socket box
Dimensions	92mm square, 40mm projection, 15mm depth into box.
Weight	160g
AC switching capacity:	
- resistive load	16A 250v AC
- inductive load cos ϕ 0.6	8A 250v AC
- incandescent lamp load	1350W
- fluorescent lamp load	60W
Minimum switching current	100mA (20v) AC/DC
Ambient temperature:	
- Synchronous units	-20 °C to +55°C
- Digital units	-20°C to +55°C
Accuracy	mains synchronized typ. \pm 2.5 sec. / day
Battery charging time (quartz)	70 hours
Minimum switching time:	
- 24 hour dials	15 minutes
- 7 day dials	2 hours
- digital unit	1 minute
Synchronous manual override	fix ON / timed / fix OFF
Digital manual override	Advance / fix ON / timed / fix OFF

Wiring Diagram



Backplate wiring: Example

