

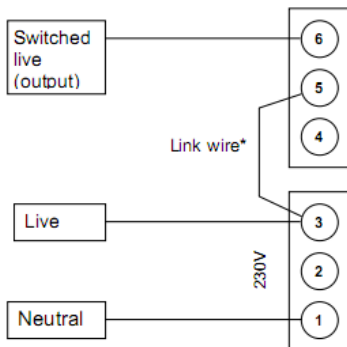
FEELING RF Programmable Thermostat



Product Description:

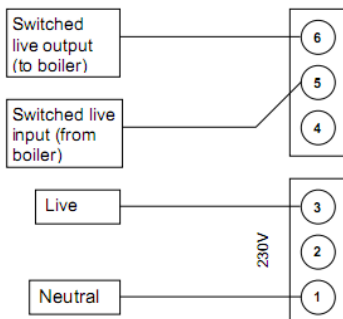
- Digital weekly room thermostat clock
 - Large, easy-to-read display
 - Up to 48 different time & temperature "events" per day
 - 4 pre-set & 1 user defined programs available
 - AUTO, Override, ECO-FIX, Cleaning, Countdown, Party, Holiday and OFF
 - Total OFF function / frost protection
 - Wide temperature control range
 - Automatic summer- / wintertime
 - Can be configured for volt free or mains switching
 - Anti Tamper Feature
 - 868.3 MHz
- Code: Feeling rf ch1 Set

Connection for mains-switching applications:



A link-wire should be fitted when the load requires a mains-input. See below for alternative connection using volt-free switching

Connection for low-voltage switching applications:



For non-mains switching do not fit a link wire. Connect terminals 5 and 6 to the boiler 'switched live out' & 'switched live in' terminals.

Dimensions H x W x D (mm)

Weight (g.)

Power supply

Battery life time

Battery back-up

Switching type

Switching capacity

Connection type

Sensing element

Ambient temperature resolution

Temperature setting display range

Frost protection

Time display

Time setting resolution

Time of day Program

Temperature control accuracy

Thermal gradient (heating system)

Room temperature display range

Programming

Pre-set programs

Output signal

RF signal

RF signal range

Coding

RF Power transmission

Operating temperature limits

Operating humidity range

Storing temperature limits

Protection Class

Protection type

According to

87 x 154 x 27

200

2 x 1,5V AA LR6 Alkaline batteries

2 years (depending on switching)

>10 min. (programs retained in EEPROM)

-

-

-

100K (at 25°C) NTC

0,1 °C

+5°C ... +32°C (0,5°C steps)

5°C (adjustable 3°C ... 7°C)

24 hour or 12 hour AM / PM format

1 minute

30 minutes

+/- 0,5 °C

3K/hour

weekly program with up to 48 time

and temperature level changes

4 + 1 user defined

RF signal

868,3 MHz

Indoor 30m (2 walls + 1 ceiling)

> 16,8Mio.

<1mW

Max. 45 °C

10 % to 90 % RH not condensing

-20°C to +55°C

II

IP40

EN 60730-1, EN 60730-2-7

EN 60730-2-9, EN 55014-1

EN 55014-2, EN 61000-6-2

ETSI EN 300 220-1

ETSI EN 300 220-3

ETSI EN 301 489-3