



PRODUCT DATA SHEET

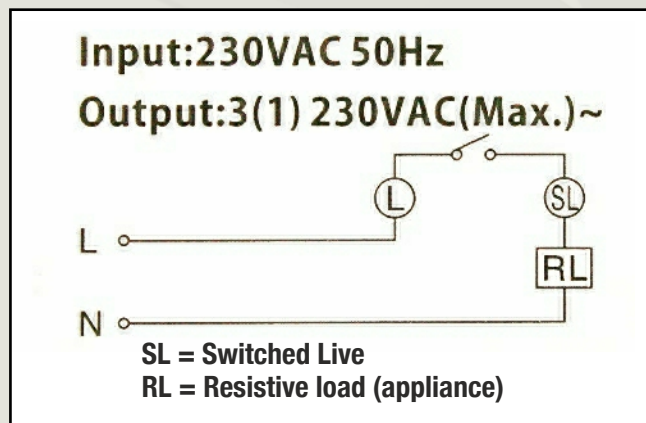
Digital Programmable Room Thermostat

Product code: **HWPRS**



FEATURES:

- Battery powered 2 x AA (LR6) alkaline
- LCD display
- Blue backlight
- Time display 12 hour am / pm
- Time accuracy: ± 1 min / month
- Operating Control range: 10—35°C in 0.5°C steps.
- Temperature control differential: 0.5°C
- Frost protection temperature: 5.0°C
- ErP Class 1
- Relay output: Volt-free 3A (resistive)
- 5 programmable periods per day
- Operating temperature range: 0 — 50°C
- Operating humidity range: 0—90% (non-con- densing)
- Volt free NO Contact (2 wire connection)
- weekday/weekend block programming or individual day programming configuration



TFC GROUP LLP

HARDWIRED PROGRAMMABLE THERMOSTAT



Cert No: RS 30178
QR057

TFC GROUP LLP, TOWER HOUSE, VALE RISE, TONBRIDGE, KENT TN9 1TB

Tel: 01732 351680 Fax: 01732 354445 www.tfc-group.co.uk

Prepared for TFC Group LLP By: M. Edmonston

Issue 1: July 2018

Page 1 of 1