

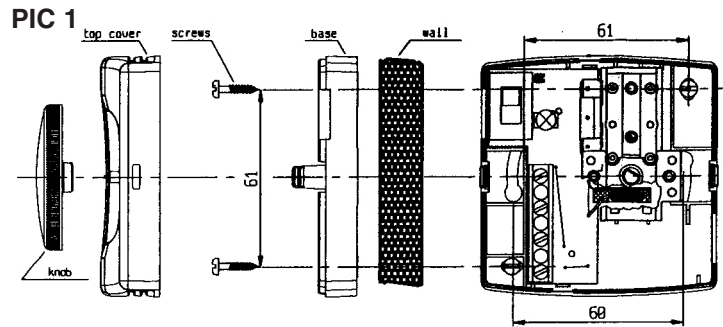


## TOWERSTAT RS, RCS & RFS INSTALLATION & USER INSTRUCTIONS

**IMPORTANT NOTE:** Installation must be carried out by a qualified electrician and conform to current IEE regulations.

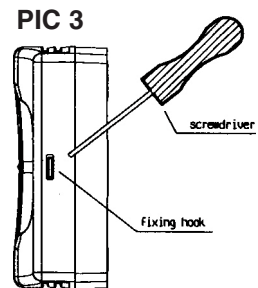
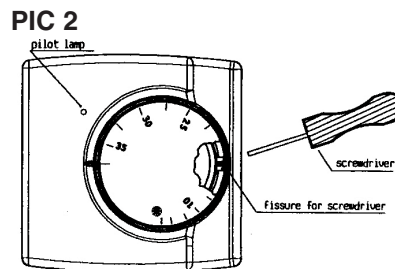
### Installation:

Remove the knob and front cover, then fix the base to the wall, (see PIC 1 for details).



### To remove the knob:

Turn the knob to the maximum temperature position. Ensure the blade of a screwdriver in the slot between the knob and top cover. Use the screwdriver as lever to remove the knob, (see PIC 2).



### To remove the top cover:

Press gently with a screwdriver blade, (see PIC 3).

### Wiring:

Please see chart to right for wiring of your thermostat

	1	2	3	4
RS	LIVE IN		SWITCH LIVE	NEUTRAL
RCS	LIVE IN	SWITCH LIVE		NEUTRAL
RFS	LIVE IN		SWITCH LIVE	NEUTRAL

### Conditions of use:

Temperature scale adjustment (if necessary).

Proceed as follows to obtain an accurate indication of the room temperature.

Approximately two days after installation measure the room temperature with a thermometer. Compare the difference between the temperature reading on the thermometer and the temperature indicated by the knob index. remove the knob, remove the knob base and turn the base clockwise (to decrease), or anticlockwise (to increase) in order to eliminate any difference in temperature.

One notch = 1 degree

see PIC 4

PIC 4

