

TAMPER PROOF ROOM THERMOSTAT INSTRUCTIONS

TECHNICAL DATA (TYPE TOWERSTAT STPRS)

Bi-metallic room thermostat for wall mounting.

Range: 5° to 35°C

Rating: 10A(2)/240volts AC.

Differential: 0.5°C.

Switch type: single pole double throw.

Size: 78mm x 78mm x 35mm

INSTALLATION

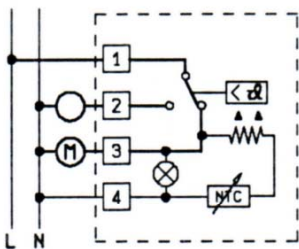
This thermostat should be installed by a competent electrician in accordance with the appropriate wiring regulations.

Remove the cover by pressing the catch, on the side of the thermostat.

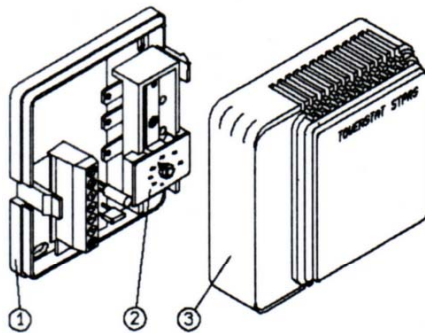
This thermostat should be fixed to a flat non-conducting, vertical surface using the two fixing centres or fix to a flush earthed metal box to BS4662, using the same two holes. Surface wiring must be fixed close to the thermostat and cut outs in the base must not have sharp edges. Outer sheath must enter at least 10mm into thermostat.

If wiring from behind, take only as much wire as necessary into the thermostat.

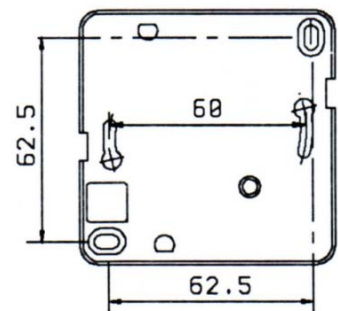
ELECTRICAL CONNECTION



TERMINAL 1 - LIVE
TERMINAL 2 - COOLING
TERMINAL 3 - HEATING
TERMINAL 4 - NEUTRAL



1) Base
2) Index
3) Cover



CE

GRASSLIN UK LTD
TONBRIDGE KENT