

Towerstat Room Thermostat STPRS (Tamper Proof)

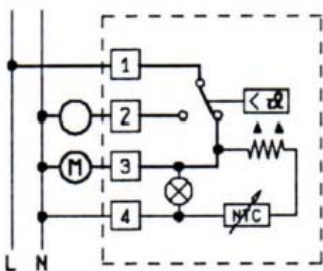
Tower Controls

**SWITCH ON
TO COMFORT**

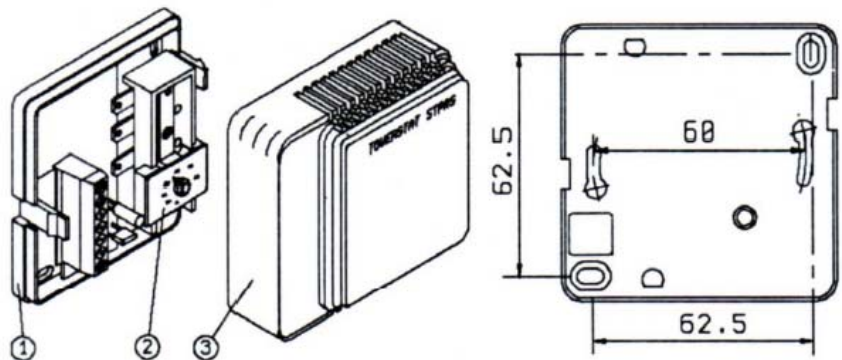
- Size: 82 (w) x 82 (h) x 33 (d) mm
- Range: 5 – 35°C
- Accelerator Heater
- Tamper Proof
- Differential: 0.5°C
- 10A Resistive (contacts opening) @ 250v AC
- 3A Resistive (contacts closing) @ 250v AC
- Double insulated
- Switch type: Single pole double throw
- Surface mounted
- Recommended for installation by a qualified electrician



ELECTRICAL CONNECTION



- TERMINAL 1 - LIVE
- TERMINAL 2 - COOLING
- TERMINAL 3 - HEATING
- TERMINAL 4 - NEUTRAL



- 1) Base
- 2) Index
- 3) Cover

The Tower tamper proof room thermostat is a bi-metal temperature regulating device. The unit is fitted with an accelerator heater to give a close differential for accuracy of temperature control. A neutral connection must be fitted and the device is only designed for use on mains operated systems.