

Towerstat STTRFSN (Frost Thermostat)

Tower Controls

SWITCH ON TO COMFORT

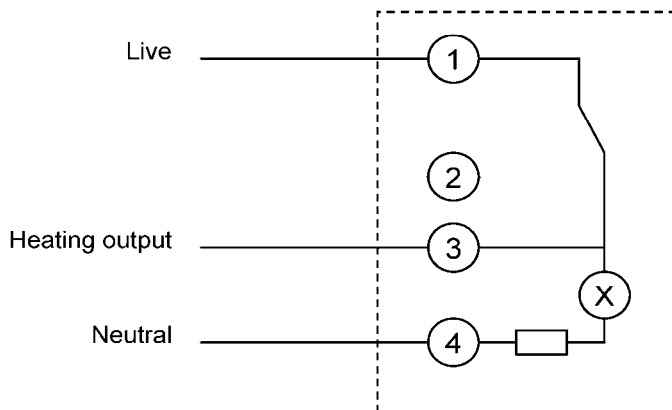
- Simple 3-wire connection (neutral required)
- New or existing installations
- Suitable for use with all mains-operated systems
- Fits standard pattress box
- Neon indicator



- Size: 82 x 82 x 33
- Range: -5 - 15°C
- Frost protection
- Differential: 1°C
- Double insulated
- Switch type: single pole single throw
- Rating:
 - Break on rise heating contact (1 – 3):10A at 240v AC (2A inductive)
- Recommended for installation by a qualified electrician

Electrical connection:

Neutral must be connected for correct temperature regulation



The Tower Frost thermostat is a bi-metal temperature regulating device. The unit is fitted with an accelerator heater to give a close differential for accuracy of temperature control. A neutral connection must be fitted and the device is for mains operation only.