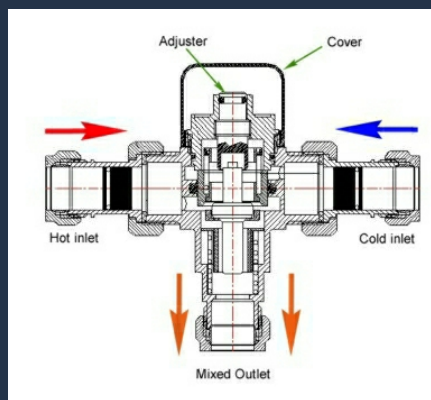
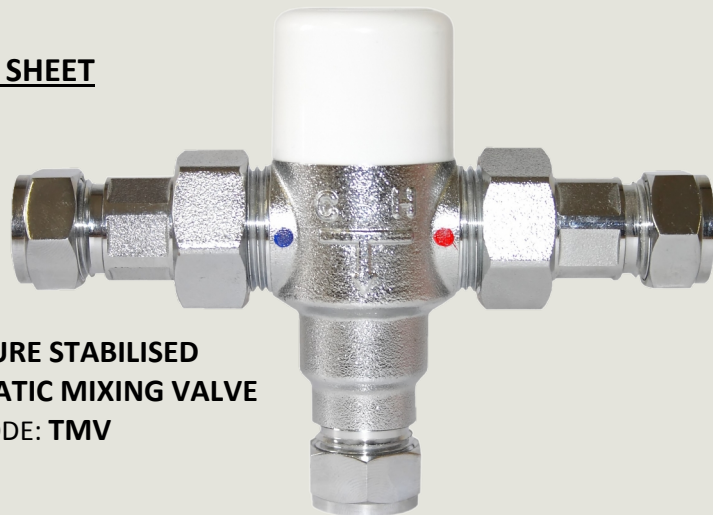


INLETS	15mm Compression
OUTLET	15mm Compression



- HP - High pressure
- LP - Low pressure
- S - Shower
- B - Bidet
- W - Washbasin
- T44 - Bath with fill temperature of 44°C max
- T46 - Bath with fill temperature of 46°C max
- BE - Bidet with economy flow rate
- SE - Shower with economy flow rate
- WE - Washbasin with economy flow rate

PRODUCT DATA SHEET



TEMPERATURE STABILISED THERMOSTATIC MIXING VALVE

PRODUCT CODE: **TMV**

THE TEMPERATURE STABILISED THERMOSTATIC MIXING VALVE HAS BEEN DESIGNED TO AUTOMATICALLY BLEND THE HOT AND COLD WATER SUPPLY TO DELIVER WATER AT A PRESET MAX TEMPERATURE

This Thermostatic mixing valve has been designed and manufactured to comply with BS EN 1287(LP) and BS EN 1111(HP)

Conditions for normal use

Operating pressure range	Low pressure	High pressure
Maximum static pressure-bar	10	10
Flow pressure, hot and cold-bar	0.2 to 1	1 to 5
Hot supply temperature-°C	52-65	52-65
Cold supply temperature-°C	5 to 20	5 to 20
Minimum Temperature Differential Between Mixed Temperature & Either Supply	10°C	10°C
Maximum Differential pressure-bar	2 bar between hot & cold	

Mixed water temperature

Application	Abbreviated Designation	Mixed water temperature °C
Bidet	-HP-B,BE,-LP-B,BE	38 max
Shower	-HP-S,SE,-LP-S,SE	41 max
Washbasin	-HP-W,WE,-LP-W,WE	41 max
Bath (44°C fill)	-HP-T44,-LP-T44	44 max
Bath (46°C fill)	-HP-T46,-LP-T46	46 max

Minimum pressure drop through fitting for correct mixing	0.1bar (1 Metre head)
Maximum pressure drop through fitting for correct mixing	5.0bar (50 Metre head)
Maximum static pressure to be applied to fitting	10.0 bar (100 Metre head)
Maximum pressure loss ratio	20:1 either supply
Temperature stability with normal variation of supply Temperatures and pressures	±2°C from set temperature
Factory set standard blend temperature	Not Pre-set
Maximum hot supply temperature	80°C

TFC GROUP LLP

TMV - THERMOSTATIC MIXING VALVE



TFC GROUP LLP, TOWER HOUSE, VALE RISE, TONBRIDGE, KENT TN9 1TB

Tel: 01732 351680 Fax: 01732 354445 www.tfc-group.co.uk