



PRODUCT DATA

OP-FM1STUH0

24 HOUR SYNCHRONOUS
TIME SWITCH

SUB-PANEL MOUNTING

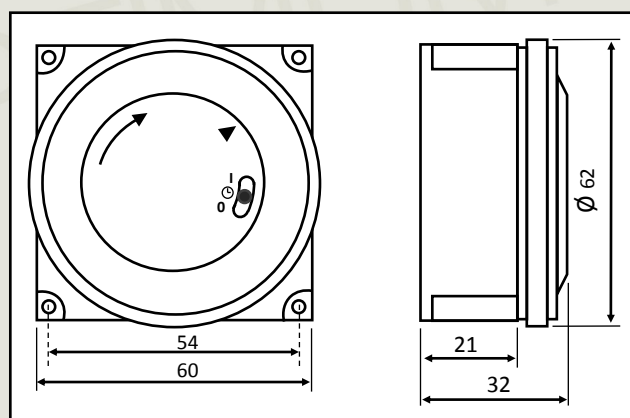
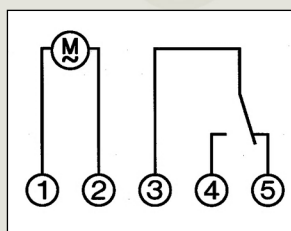
VOLT-FREE CHANGEOVER
SWITCHING

MANUAL OVERRIDE



OP-FM1STUH0 IS A CAPTIVE-TAPPET 24-HOUR TIME SWITCH MODULE. EACH TAPPET OPERATES FOR 15 MINUTES. THE TIMER IS SUITABLE FOR SUB-PANEL MOUNTING. THE 24 HOUR DIAL CONTROLS A VOLT-FREE CHANGEOVER SWITCH, WITH A RESISTIVE RATING OF 16 AMPERES. A THREE-POSITION MANUAL OVERRIDE IS BUILT-IN TO THE FACE OF THE DIAL, PROVIDING TIMED, FIX ON AND FIX OFF SELECTIONS.

DIMENSIONS	60 x 60 x 32 (see drawing below)
CONNECTIONS	5 x DIN 6.3mm TAB TERMINALS
WEIGHT	110g
POWER CONSUMPTION	1vA @ 230V 50Hz
RESISTIVE LOAD	16 AMPERES
INDUCTIVE LOAD	8 AMPERES (cos Ø 0.6)
MINIMUM LOAD	100mA @ 20v AC/DC
TEMPERATURE RATING	-20T85
ACCURACY	MAIN SYNCHRONISED (typically +/- 2.5 sec / day)
MINIMUM SWITCHING	15 MINUTES
MANUAL OVERRIDE	TIMED, FIX ON, FIX OFF



OPTIMUM



Cert No: RS 30178
QR057

TFC GROUP LLP, TOWER HOUSE, VALE RISE, TONBRIDGE, KENT TN9 1TB

Tel: 01732 351680 www.tfc-group.co.uk

Prepared for TFC Group LLP By: M. Edmonston

Issue 1: Sept 2018

Page 1 of 1