



PRODUCT DATA SHEET

**AIR22 AIR SEPARATOR
AIR22CF (WITH COLD FEED)**

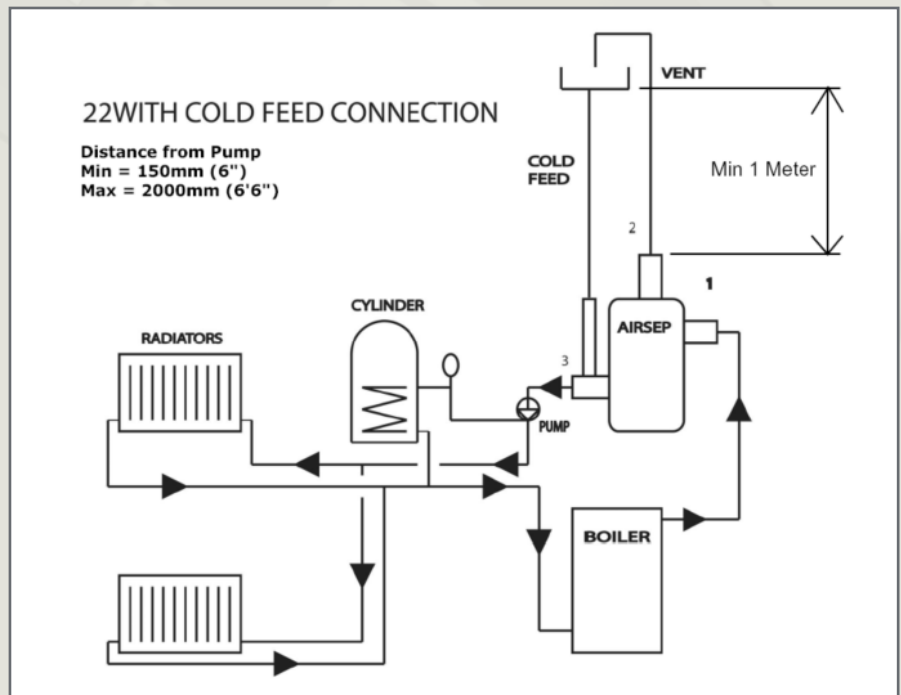
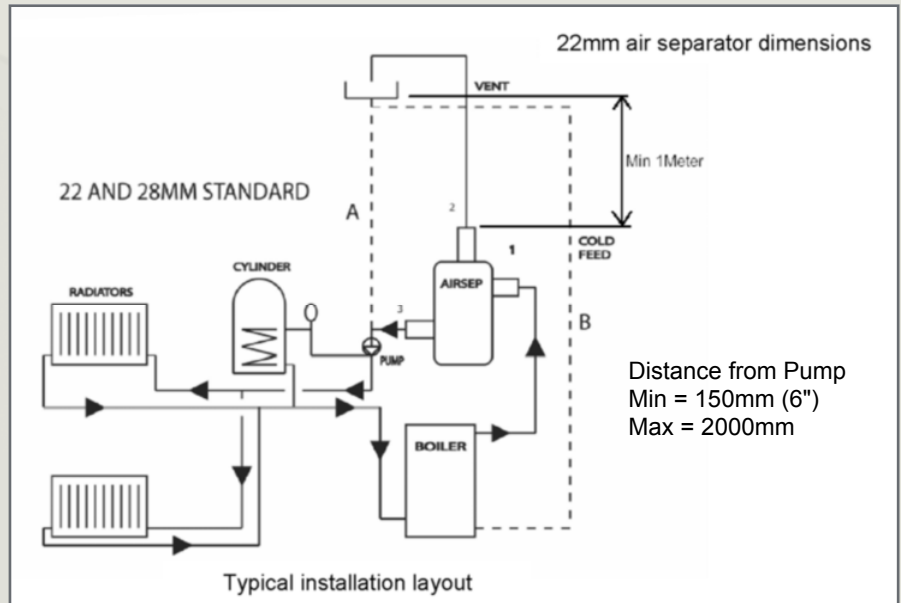
- EXPELS AIR FROM OPEN-VENTED HEATING SYSTEM
- CONTINUOUS AIR REMOVAL DURING SYSTEM OPERATION
- OPTIONAL VERSION WITH 'COLD-FEED' CONNECTION
- SUITABLE FOR SOLDERED PIPEWORK CONNECTION
- AVAILABLE FOR 22MM AND 28MM PIPEWORK
- NO MOVING PARTS



AIR22



AIR22CF



TFC GROUP

AUTOMATIC AIR SEPARATOR 22mm



Cert No: RS 30178
QR057

TFC GROUP, TOWER HOUSE, VALE RISE, TONBRIDGE, KENT TN9 1TB Tel:

01732 351680 Fax: 01732 354445 www.tfc-group.co.uk

Prepared for TFC Group By: M. Edmonston

Issue 1: July 2018

Page 1 of 2

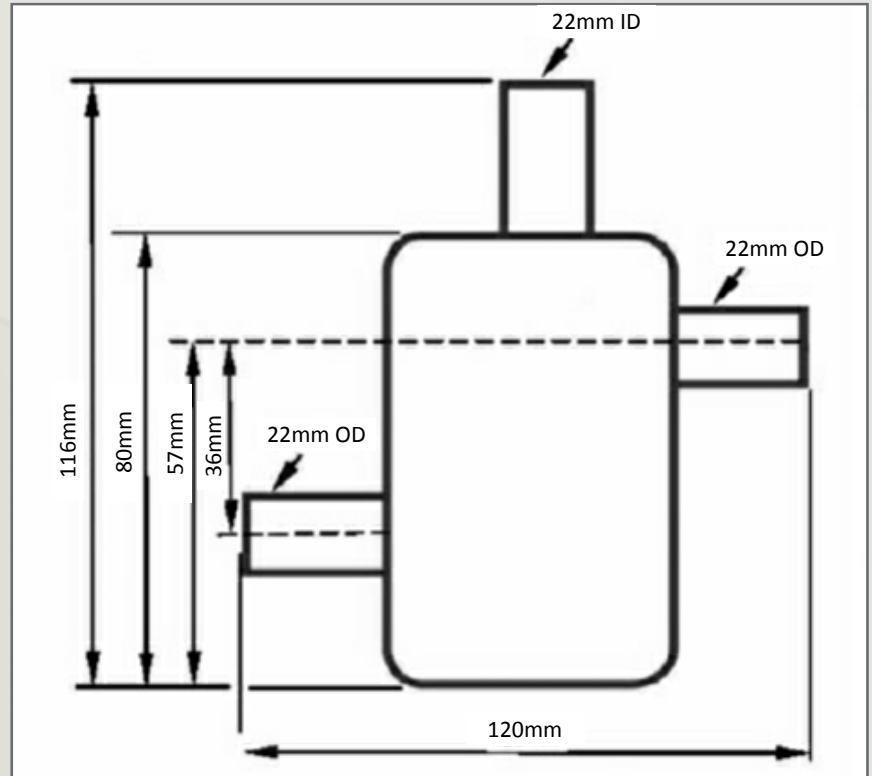


PRODUCT DATA SHEET

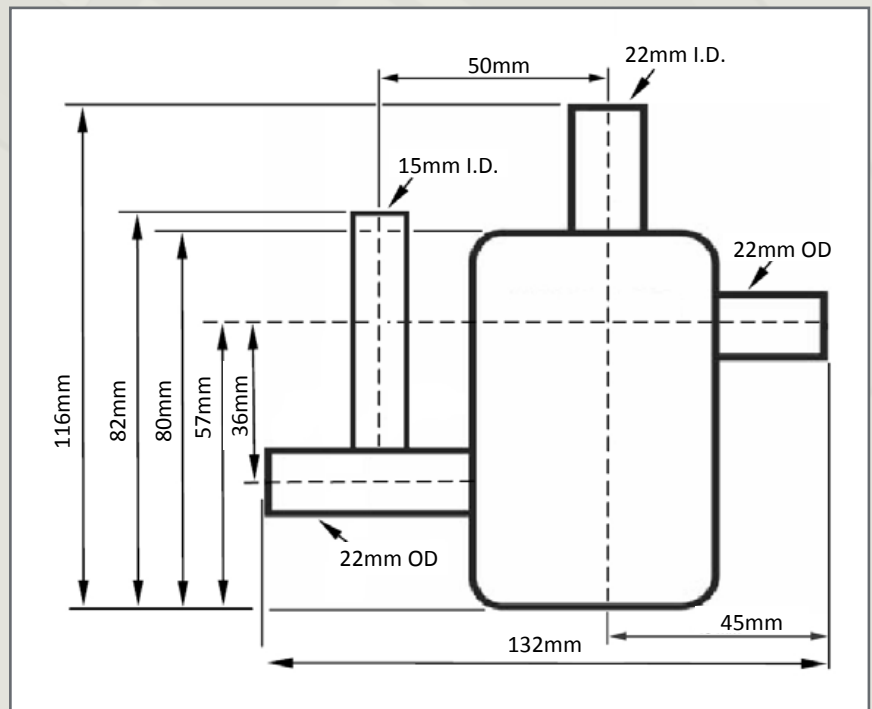
DIMENSIONS



AIR22



AIR22CF



TFC GROUP

AUTOMATIC AIR SEPARATOR 22mm



Cert No: RS 30178
QR057

TFC GROUP, TOWER HOUSE, VALE RISE, TONBRIDGE, KENT TN9 1TB

Tel: 01732 351680 Fax: 01732 354445 www.tfc-group.co.uk

Prepared for TFC Group By: M. Edmonston

Issue 1: July 2018

Page 1 of 2