

Tower Bypass Valve Specification - BPV

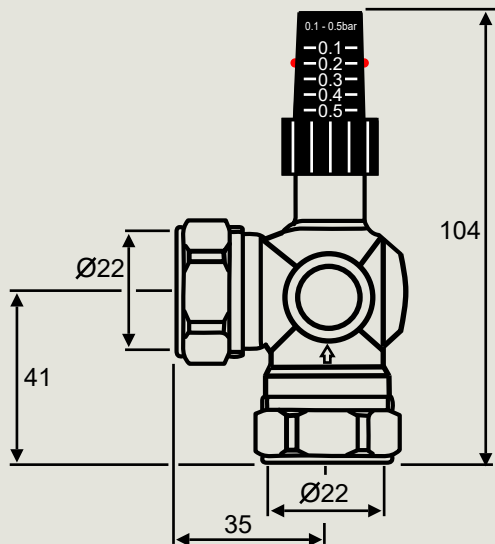
The Tower BPV is a precision-engineered bypass valve designed for applications that require accurate pressure regulation, with an adjustable working range between 0.1 and 0.5 BAR. It is built to handle a maximum working pressure of up to 10 BAR and offers a flow capacity between 1 to 5 m³/h, ensuring robust performance across various heating systems. Capable of withstanding temperatures from 0°C to 100°C, this valve is ideal for high-demand environments.

The 22mm compression fitting simplifies installation, while the durable nickel-plated finish ensures corrosion resistance and long-term reliability. Its angled design provides flexibility for installation in space-constrained areas.

The Tower BPV helps maintain system balance by automatically regulating flow in systems equipped with thermostatic radiator valves or zone valves, preventing noise and optimising efficiency. By allowing flow to bypass when necessary, it minimizes system strain and improves overall performance, especially in systems that require pump overrun accommodation.



To ensure proper installation and compatibility with your heating system, professional consultation with a heating engineer is recommended.



Features:

Adjustable Pressure Range: 0.1-0.5 BAR

Maximum Working Pressure: 10 BAR

Flow Capacity: 1 to 5 m³/h

Temperature Range: 0-100°C

Connection Size: 22mm Compression

Finish: Nickel-Plated

Configuration: Angled Design