



PRODUCT DATA

OP - IHTGPT

24 HOUR IMMERSION HEATER TIME SWITCH

SURFACE MOUNTING

CHANGEOVER SWITCHING

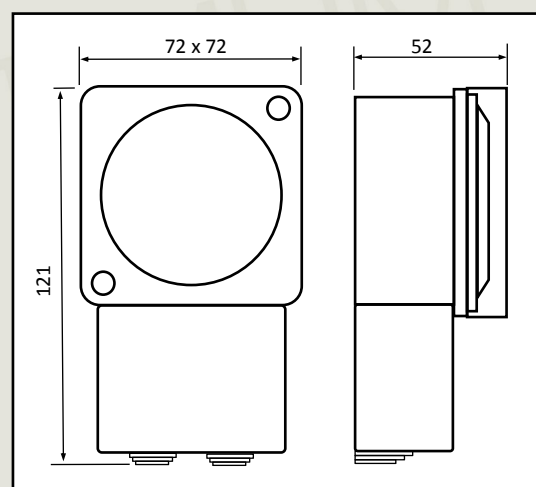
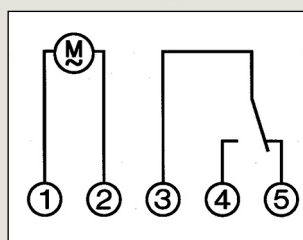
EARTH PARK TERMINAL

CABLE / CORD RESTRAINTS



OP-IHTGPT IS A 24 HOUR IMMERSION HEATER TIME SWITCH, SUITABLE FOR SURFACE MOUNTING. THE TIMER CONTROLS A VOLT-FREE CHANGEOVER SWITCH, WITH A RESISTIVE RATING OF 16 AMPERES. PRE-FITTED (REMOVABLE) LINK FOR MAINS SWITCHING.

DIMENSIONS	121 x 72 x 52 (see drawing below)
CONNECTIONS	5 X WIRE-PROTECT SCREW TERMINALS + EARTH PARK
WEIGHT	160g
POWER CONSUMPTION	1vA @ 230V 50Hz
RESISTIVE LOAD	16 AMPERES
INDUCTIVE LOAD	8 AMPERES (cos Ø 0.6)
MINIMUM LOAD	100mA @ 20v AC/DC
TEMPERATURE RATING	-20T55
ACCURACY	MAINS SYNCHRONISED (typically +/- 2.5 sec / day)
MINIMUM SWITCHING	15 MINUTES
MANUAL OVERRIDE	FIX ON / TIMED / FIX OFF



OPTIMUM



TFC GROUP, TOWER HOUSE, VALE RISE, TONBRIDGE, KENT TN9 1TB

Tel: 01732 351680 www.tfc-group.co.uk

Prepared for TFC Group By: M. Edmonston

Issue 1: Sept 2018

Page 1 of 1