



## PRODUCT DATA

### OP - IHTGPW

7 DAY IMMERSION HEATER  
TIME SWITCH

SURFACE MOUNTING

CHANGEOVER SWITCHING

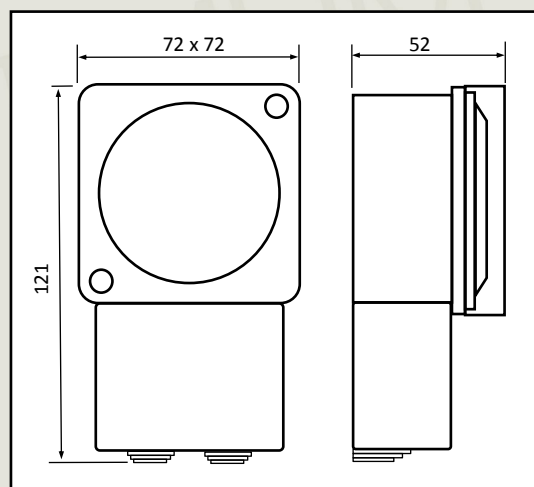
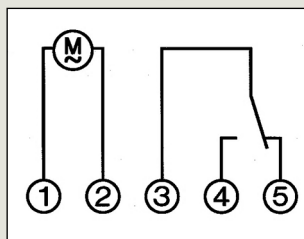
EARTH PARK TERMINAL

CABLE / CORD RESTRAINTS



OP-IHTGPW IS A CAPTIVE-TAPPET 7 DAYIMMERSION HEATER TIME SWITCH. EACH TAPPET OPERATES FOR 2 HOURS. THE TIMER IS SUITABLE FOR SURFACE MOUNTING. THE 7 DAY DIAL CONTROLS A VOLT-FREE CHANGEOVER SWITCH, WITH A RESISTIVE RATING OF 16 AMPERES. PRE-FITTED (REMOVABLE) LINK FOR MAINS SWITCHING.

DIMENSIONS	121 x 72 x 52 (see drawing below)
CONNECTIONS	5 X WIRE-PROTECT SCREW TERMINALS + EARTH PARK
WEIGHT	160g
POWER CONSUMPTION	1vA @ 230V 50Hz
RESISTIVE LOAD	16 AMPERES
INDUCTIVE LOAD	8 AMPERES (cos $\phi$ 0.6)
MINIMUM LOAD	100mA @ 20v AC/DC
TEMPERATURE RATING	-20T55
ACCURACY	MAIN SYNCHRONISED (typically +/- 2.5 sec / day)
MINIMUM SWITCHING	2 HOURS
MANUAL OVERRIDE	FIX ON / TIMED / FIX OFF



OPTIMUM



Cert No: RS 30178  
QR057

TFC GROUP, TOWER HOUSE, VALE RISE, TONBRIDGE, KENT TN9 1TB

Tel: 01732 351680 [www.tfc-group.co.uk](http://www.tfc-group.co.uk)

Prepared for TFC Group By: M. Edmonston

Issue 1: Sept 2018

Page 1 of 1