



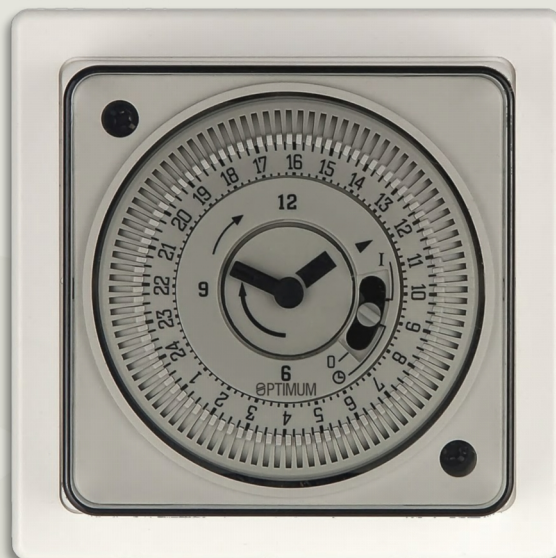
PRODUCT DATA

OP-SBST

24 HOUR SYNCHRONOUS
TIME SWITCH

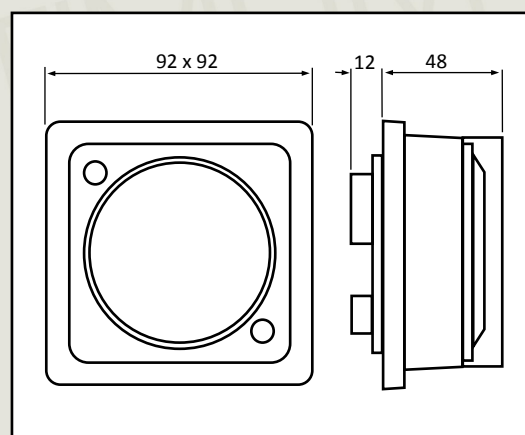
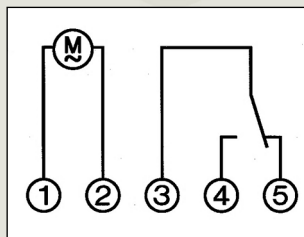
SOCKET-BOX MOUNTING

VOLT-FREE CHANGEOVER
SWITCHING



OP-SBST IS A CAPTIVE-TAPPET 24-HOUR TIME SWITCH. EACH TAPPET OPERATES FOR 15 MINUTES. THE TIMER IS SUITABLE FOR INSTALLATION ON A SURFACE OR IN-WALL PAT-TRESS BOX. THE 24 HOUR DIAL CONTROLS A VOLT-FREE CHANGEOVER SWITCH, WITH A RESISTIVE RATING OF 16 AMPERES.

| | |
|--------------------|---|
| DIMENSIONS | (see drawing below) |
| CONNECTIONS | 5 X WIRE-PROTECT SCREW TERMINALS + EARTH PORK |
| WEIGHT | 160g |
| POWER CONSUMPTION | 1vA @ 230V 50Hz |
| RESISTIVE LOAD | 16 AMPERES |
| INDUCTIVE LOAD | 8 AMPERES (cos Ø 0.6) |
| MINIMUM LOAD | 100mA @ 20v AC/DC |
| TEMPERATURE RATING | -20T55 |
| ACCURACY | MAIN SYNCHRONISED (typically +/- 2.5 sec / day) |
| MINIMUM SWITCHING | 15 MINUTES |
| MANUAL OVERRIDE | FIX ON / TIMED / FIX OFF |



OPTIMUM



Cert No: RS 30178
QR057

TFC GROUP, TOWER HOUSE, VALE RISE, TONBRIDGE, KENT TN9 1TB

Tel: 01732 351680 www.tfc-group.co.uk

Prepared for TFC Group By: M. Edmonston

Issue 1: Sept 2018

Page 1 of 1