



PRODUCT DATA SHEET

OP - TS371.1

24 HOUR / 7 DAY DIGITAL TIME SWITCH

SURFACE, PANEL, DIN-RAIL MOUNTING

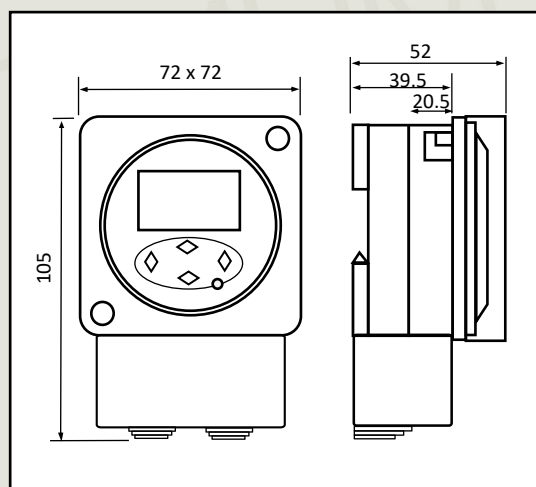
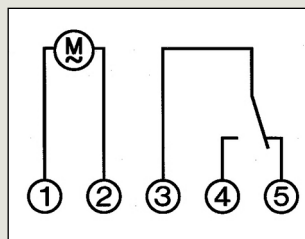
VOLT-FREE CHANGEOVER SWITCHING

24 ON/OFF PROGRAMMABLE PERIODS



OP-TS371.1 IS A DIGITAL 24-HOUR / 7 DAY TIME SWITCH. PROGRAMMABLE FOR EITHER 24 HOUR OR 7 DAY OPERATION. THE TIMER IS SUITABLE FOR SURFACE, PANEL AND DIN-RAIL MOUNTING. THE TIMER CONTROLS A VOLT-FREE CHANGEOVER SWITCH, WITH A RESISTIVE RATING OF 16 AMPERES.

DIMENSIONS	105 x 72 x 55 (see drawing below)
CONNECTIONS	5 X WIRE-PROTECT SCREW TERMINALS
WEIGHT	160g
POWER CONSUMPTION	1vA @ 230V 50Hz
RESISTIVE LOAD	16 AMPERES
INDUCTIVE LOAD	4 AMPERES (cos Ø 0.6)
MINIMUM LOAD	100mA @ 20v AC/DC
RUNNING RESERVE	2 Months +
TEMPERATURE RATING	-20T45
ACCURACY	+/- 2.5 sec / day
MINIMUM SWITCHING	1 MINUTE
MANUAL OVERRIDE	FIX ON / TIMED / FIX OFF



TFC GROUP, TOWER HOUSE, VALE RISE, TONBRIDGE, KENT TN9 1TB

Tel: 01732 351680 www.tfc-group.co.uk

Prepared for TFC Group By: M. Edmonston

Issue 2: Oct 2019

Page 1 of 1